

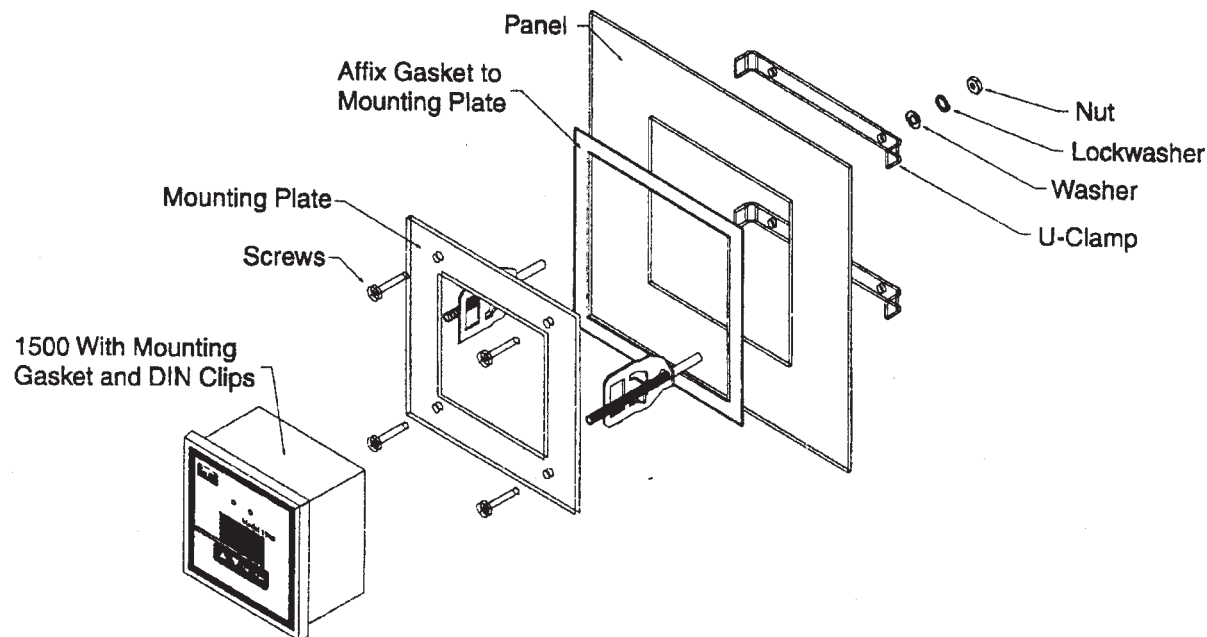
Conversion Kit for the Series 1500

Part No. A1501

Description: Black Anodized Aluminum Adaptor Plate, a gasket, and mounting hardware

Use:

1. To retrofit the Series 1500 in a panel that was previously cut out to flush mount a Model 1000
2. To give the installer a less critical cut out rather than the very precise DIN cut out dimensions. Using the adaptor, the square cut out dimensions are: minimum 3 5/8", maximum 4 7/8".



Note: The depth of a Model 1500 is 3¼". The depth of a Model 1000 is 2¼". The difference in depth is 1". This difference should be considered before adapting the panel.

For 10 Years Data Industrial has sold the Model 1000 Digital Flow Monitor. This product is being discontinued and replaced with the Series 1500, a smaller, lighter, less expensive monitor that has more features.

Model 1000's were often flush mounted in a control panel using the A-1003 Flush Mount Kit. The new adaptor plate allows the user to retrofit the new Series 1500 to the existing cut out made for the Model 1000. It also allows approximately 1" of overlap so that an imprecise job of cutting the opening can be neatly trimmed.

Note: The outside dimension of the adaptor plate matches the outside dimension of the A-1003

PRODUCTS

200
4000
310
320
600
800
1400
1500 ✓
2100
2200
2300
HTT
WSS